

PRODUCT INFORMATION



Firgelli Automations, 3888 Sound Way, Bellingham, WA 98226 USA

Tel, 1-360-450-5522

Fax 1 866 226-1649

Email sales@firgelliauto.com

www.FirgelliAuto.com



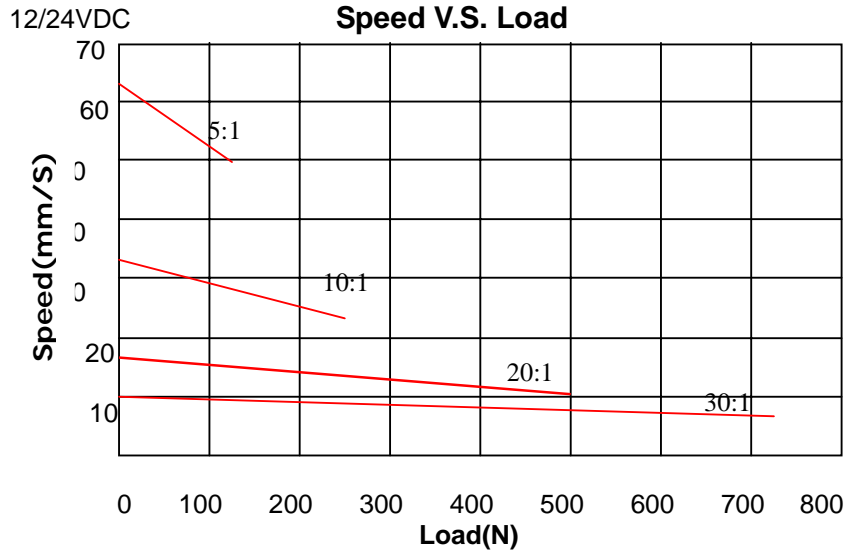
- Low noise design
- Enhanced corrosion resistance
- Aluminum outer and inner tube
- Zinc alloy housing
- Powder metal gears
- Lubrication for longer life
- Small compact Design
- Low Price

Specifications

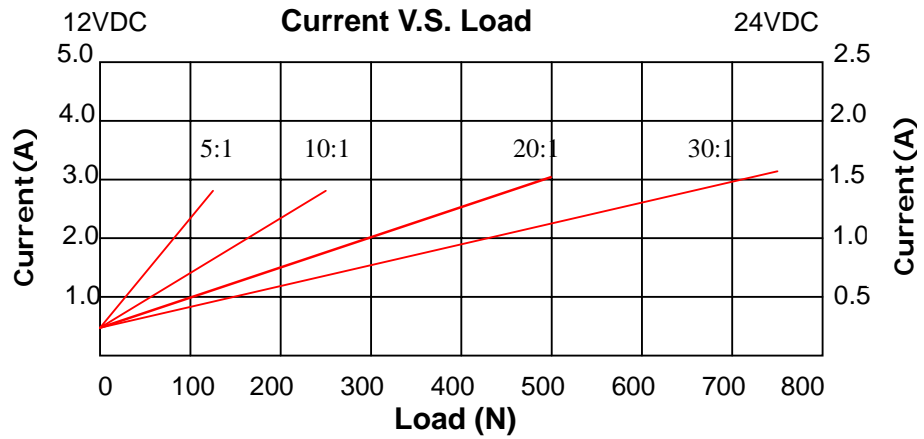
| Model | FA-35-S-12-x" (High Speed) | ZYJ(s)02 (Standard Speed) | FA-150-S-12-x" (Standard Force) | FA-240-S-12-x" (High Force) |
|-----------------------------|---------------------------------------|------------------------------|------------------------------------|--------------------------------|
| Input Voltage | 12 VDC | | | |
| Load Capacity | 35 lbs | 57 lbs | 150 lbs | 200 lbs |
| Static Load | 2300N (522 lbs) | | | |
| Stroke Length | 1" to 28" (25mm to 711mm) | | | |
| Speed at No Load | 2"/sec (50mm/s) | 1"/sec (25mm/s) | 0.4"/sec (10mm/s) | 0.3"/sec (7mm/s) |
| Speed at Full Load | 50mm/s | 23mm/s | 11mm/s | 8mm/s |
| Clevis Ends | 6.3mm diameter | | | |
| Screw | ACME screw | | | |
| Gear Ratio | 5:1 | 10:1 | 20:1 | 30:1 |
| Duty Cycle | 25% | | | |
| Operation Temperature Range | -26°C~65°C (-15°F~150°F) | | | |
| Limit Switch | Built-in (Factory Preset) Not movable | | | |
| IP Grade | IP54 (dust and splash proof) | | | |

PRODUCT INFORMATION

LOAD/SPEED

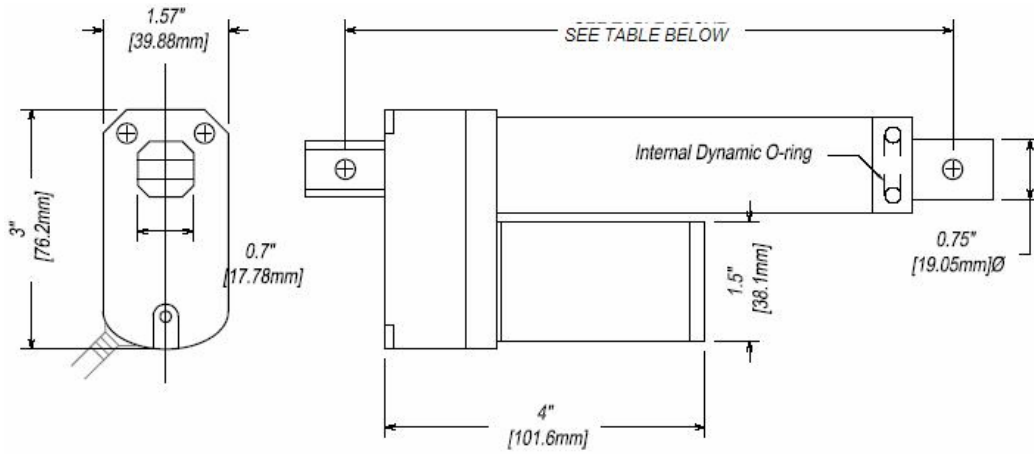


LOAD/CURRENT



PRODUCT INFORMATION

Dimensions:



① FRONT

| HOLE TO HOLE DIMENSIONS | | |
|-------------------------|---------------------------|--------------------------|
| STROKE SIZE (INCHES) | COLLAPSED LENGTH (INCHES) | EXTENDED LENGTH (INCHES) |
| 2 | 6,3 | 8,3 |
| 3 | 7,3 | 10,3 |
| 4 | 8,3 | 12,3 |
| 6 | 10,3 | 16,3 |
| 8 | 12,3 | 20,3 |
| 9 | 13,3 | 22,3 |
| 10 | 14,3 | 24,3 |
| 12 | 16,3 | 28,3 |
| 18 | 22,3 | 40,3 |
| 24 | 28,3 | 52,3 |

② SIDE

ACTUATOR DIMENSION

- This model actuator uses Fircelli Automations MB1 Brackets on both ends of the actuator. Visit http://www.fircelliauto.com/product_info.php?cPath=70&products_id=54 for more details

Please visit our website for latest prices and to purchase
www.FircelliAuto.com